

25.120	162486.0925	20.90
25.170	162486.0925	20.90
25.330	162486.0925	20.90
25.530	162486.0925	20.90
25.720	162486.0925	20.90
25.820	162486.0925	20.90
26.180	162486.0925	20.90
26.230	162486.0925	20.90
26.440	162486.0925	20.90
26.530	162486.0925	20.90
26.640	162486.0925	20.90
26.830	162486.0925	20.90
27.070	162486.0925	20.90



Analogue display

with stepper motor



SERATEC
Verkehrstechnik®

Analogue display with stepper motor

Over many years now, stepper motor instruments have proven their advantages over turning coil instruments; e.g. there are no mechanical misadjustments. Typically the torque of a stepper motor is approximately 75 times higher than that of a turning coil in its end position at 20mA.

The mechanical construction of the pointer rod is very robust and minimizes the instruments sensitivity to shock and vibration. The displays have been designed to comply with the high standards in rail vehicle applications. User friendliness, accuracy and durability have been the main design criteria. The displays offer best readability and visibility, even in difficult and fast changing light conditions, e.g. when entering/leaving tunnels or bright sunlight. The displays are LED lit.

Type of housing

- round – 80 mm, 100 mm, 130 mm
- square – 72 x 72 mm, 96 x 96 mm, 144 x 144 mm

Measurement range

- 4 - 20 mA
- 0 - 20 mA

Accuracy

0,5 according to IEC 51-1

Supply voltage

16...32 VDC \pm 20%

Operating temperature

-20...+70°C

Storage temperature

-20...+85°C

Humidity

RH max. 90% (non-condensing)

Vibration resistance

4g according to DIN IEC68, Part 2-6 from 10...100Hz

Shock resistance

25g at duration 11 ms

Mounting angle

no restriction

Protection class

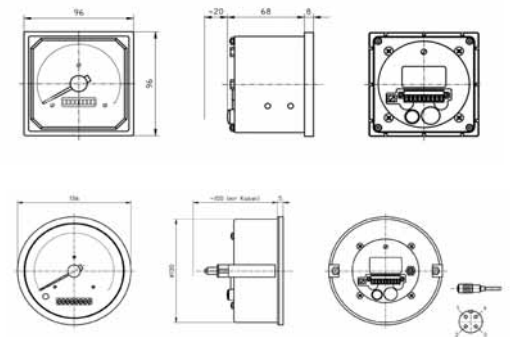
IP54 (connectors IP00)

Certifications

CE

Applied standards

DIN EN 61010-1, DIN EN 50121-3-2



WINTRAS® means accurate data and information about your vehicle. WINTRAS® ensures an easily understandable and detailed overview of all recorded data: speed, distance, time, as well as analogue and digital signals.

SERATEC
Verkehrstechnik®

Seratec Verkehrstechnik GmbH
Brückenstrasse 16
D 86153 Augsburg
Phone + 49 (0) 821 30 110
Fax + 49 (0) 821 33 380
info@seratec.de
www.seratec.de



© 2015 Grow. All rights reserved.